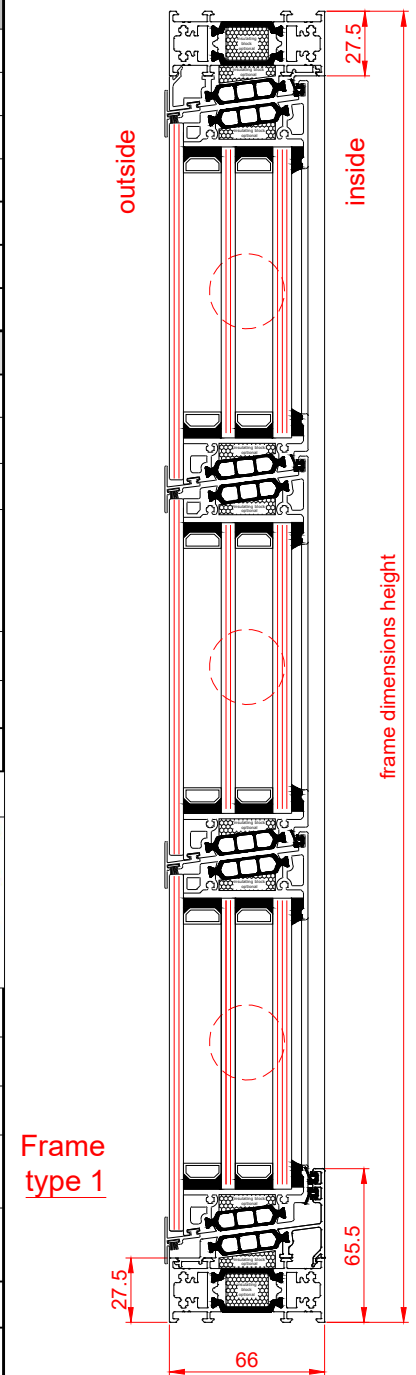
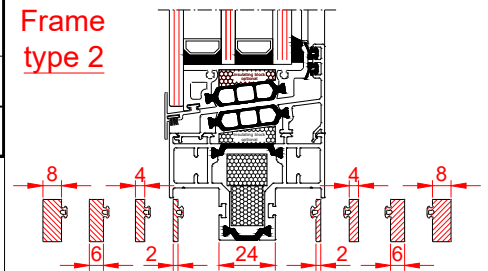


Louvre window Tairmo-Allglass

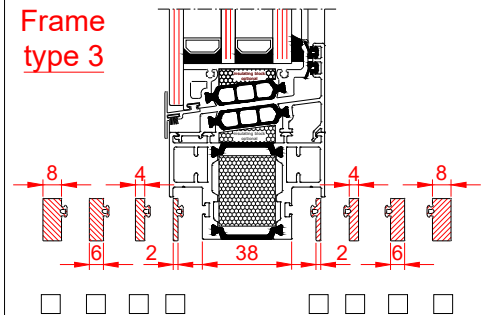
status:	<input type="checkbox"/> enquiry	<input type="checkbox"/> order		
project number:	purchase order:			
project manager:	phone number:			
desired delivery date:	date:			
project:				
delivery address:				
contact person on site:				
Pos.:	01	02	03	
no.:				
frame dimensions	width: (mm)			
	height: (mm)			
	type of frame:	<input type="checkbox"/> type 1 <input type="checkbox"/> type 2 <input type="checkbox"/> type 3 thickness: _____mm (see detail frames)	<input type="checkbox"/> type 1 <input type="checkbox"/> type 2 <input type="checkbox"/> type 3 thickness: _____mm (see detail frames)	<input type="checkbox"/> type 1 <input type="checkbox"/> type 2 <input type="checkbox"/> type 3 thickness: _____mm (see detail frames)
insulating block in Profiles:	<input type="checkbox"/> with <input type="checkbox"/> without	<input type="checkbox"/> with <input type="checkbox"/> without	<input type="checkbox"/> with <input type="checkbox"/> without	
desired Uw: (U-value Louvre)	_____ W/m²K	_____ W/m²K	_____ W/m²K	
no. of blades:				
blade panel type	thickness: (mm)	52mm	52mm	52mm
	glass design: (outer side / air space / inner side)	<input type="checkbox"/> 6(ESG) / 16 / 6 / 16 / 8(Float) (Argon, Ug = 0,6) <input type="checkbox"/> 6(ESG) / 16 / 6 / 16 / 8(VSG) (Argon Ug = 0,6) <input type="checkbox"/> 6(ESG) / 16 / 6 / 16 / 8(ESG) (Argon Ug = 0,6) <input type="checkbox"/> Anderer	<input type="checkbox"/> 6(ESG) / 16 / 6 / 16 / 8(Float) (Argon, Ug = 0,6) <input type="checkbox"/> 6(ESG) / 16 / 6 / 16 / 8(VSG) (Argon Ug = 0,6) <input type="checkbox"/> 6(ESG) / 16 / 6 / 16 / 8(ESG) (Argon Ug = 0,6) <input type="checkbox"/> Anderer	<input type="checkbox"/> 6(ESG) / 16 / 6 / 16 / 8(Float) (Argon, Ug = 0,6) <input type="checkbox"/> 6(ESG) / 16 / 6 / 16 / 8(VSG) (Argon Ug = 0,6) <input type="checkbox"/> 6(ESG) / 16 / 6 / 16 / 8(ESG) (Argon Ug = 0,6) <input type="checkbox"/> Anderer
	type of glass:			
finish	finish:	<input type="checkbox"/> powder coated <input type="checkbox"/> natural anodised	<input type="checkbox"/> powder coated <input type="checkbox"/> natural anodised	<input type="checkbox"/> powder coated <input type="checkbox"/> natural anodised
	colour supplier & colourcode:			
controls	type of control:	<input type="checkbox"/> manual <input type="checkbox"/> electric _____V <input type="checkbox"/> pneumatic	<input type="checkbox"/> manual <input type="checkbox"/> electric _____V <input type="checkbox"/> pneumatic	<input type="checkbox"/> manual <input type="checkbox"/> electric _____V <input type="checkbox"/> pneumatic
	description:			
	cable length: (standard = 2,5m)	_____ m	_____ m	_____ m
	cable exit: (LAH65 only)	<input type="checkbox"/> top <input type="checkbox"/> bottom <input type="checkbox"/> side through frame	<input type="checkbox"/> top <input type="checkbox"/> bottom <input type="checkbox"/> side through frame	<input type="checkbox"/> top <input type="checkbox"/> bottom <input type="checkbox"/> side through frame
control position:	<input type="checkbox"/> position A (right side) <input type="checkbox"/> position B (left side) height _____ mm	<input type="checkbox"/> position A (right side) <input type="checkbox"/> position B (left side) height _____ mm	<input type="checkbox"/> position A (right side) <input type="checkbox"/> position B (left side) height _____ mm	
fixing brackets / special adaptor:				
smoke vents	<input type="checkbox"/> yes	<input type="checkbox"/> yes	<input type="checkbox"/> yes	
CE- certified:	<input type="checkbox"/> no	<input type="checkbox"/> no	<input type="checkbox"/> no	



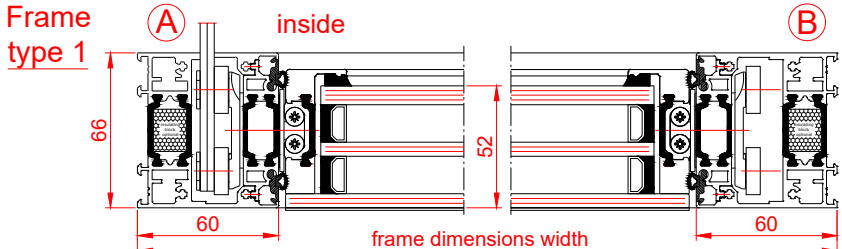
Frame type 1



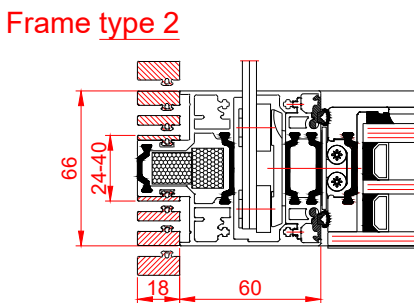
Frame type 2



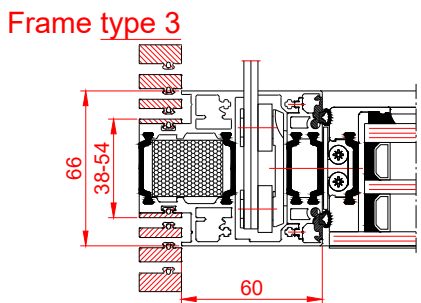
Frame type 3



Frame type 1



Frame type 2



Frame type 3

profile insulating block optional